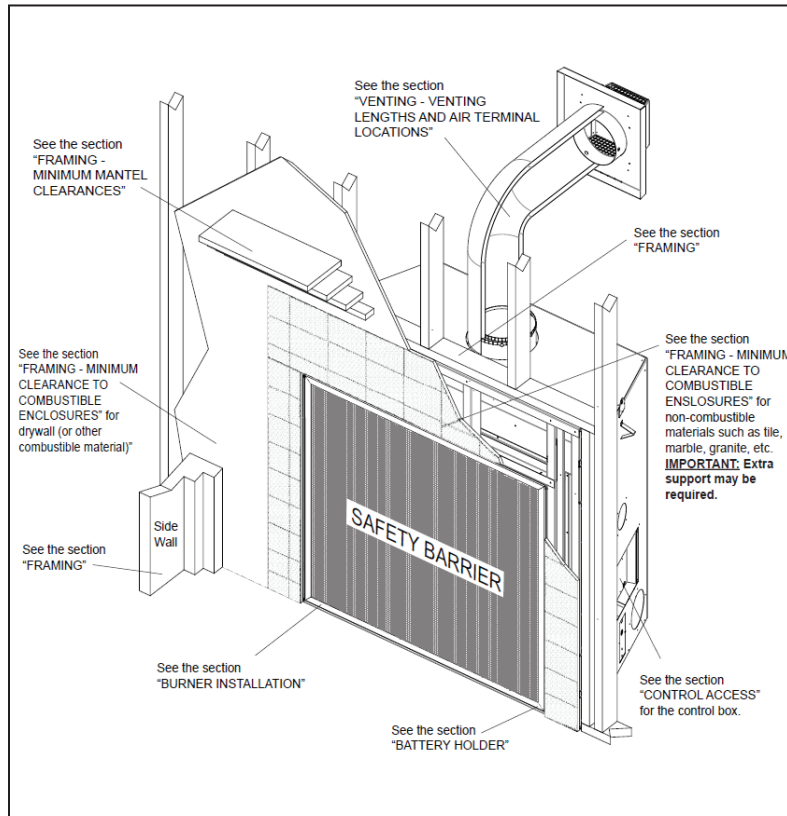


# STARFIRE™ 52 DIRECT VENT GAS FIREPLACE

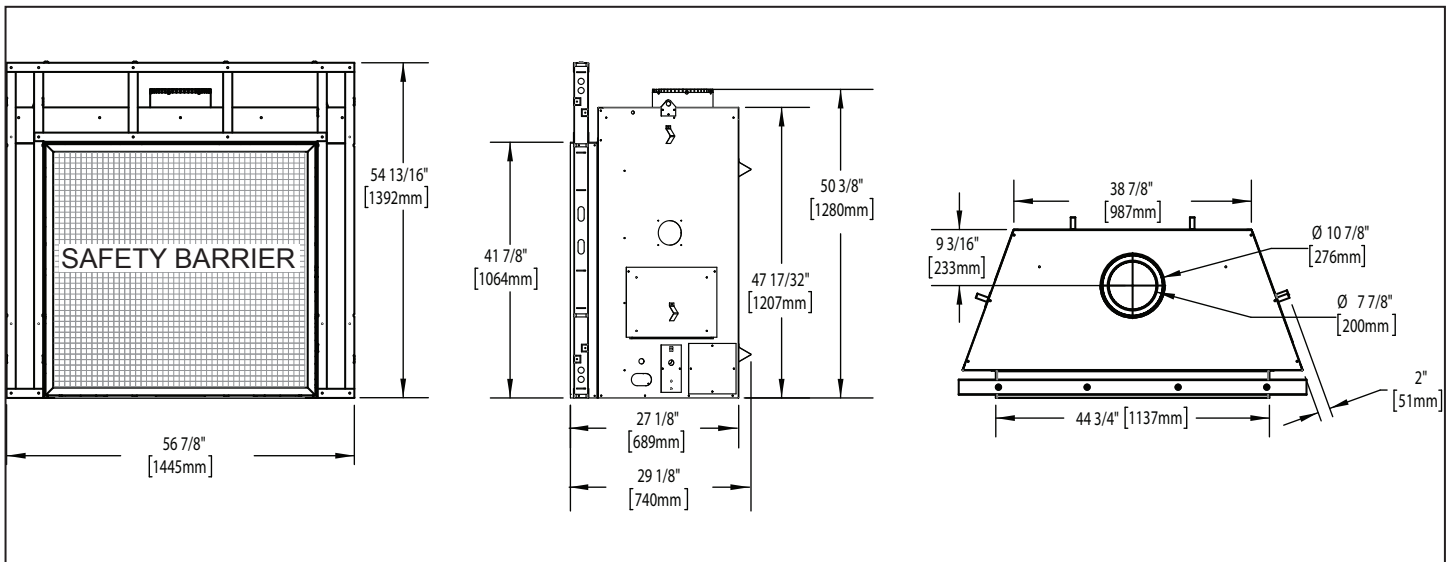
## Specifications

Model	BTU	Width		Height		Depth		Glass
		Actual	Framing	Actual	Framing	Actual	Framing	
HDX52	55,000	56 7/8"	57 3/8"	54 13/16"	55 1/4"	29 1/8"	29 3/8"	37 1/2" X 41 3/4"

## Overview



## Dimensions



# STARFIRE™ 52 DIRECT VENT GAS FIREPLACE

## Framing & Clearances

### Minimum Fireplace Clearances

**Maintain these minimum clearances to combustibles from appliance and vent surfaces:**

**Appliance framing:**  
Use steel stud framing provided.

**Non-Combustible Appliance finishing:**

- Front - 6" (152mm) to sides of appliance opening
- 13" (330mm) above appliance opening

**Combustible Appliance finishing:**

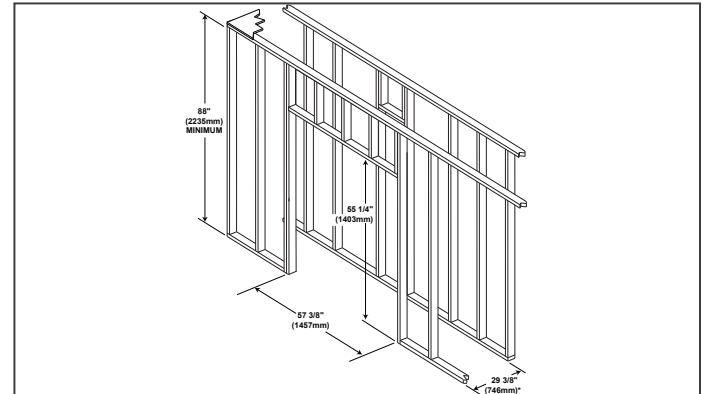
- 88" (2235mm) from bottom of appliance to enclosure top
- 4 1/2" (114mm) to top of vent pipe\*
- 1 1/2" (38mm) to sides and bottom of vent pipe\*

**Ceiling height is minimum 24" (610mm) from the top of the appliance opening.**

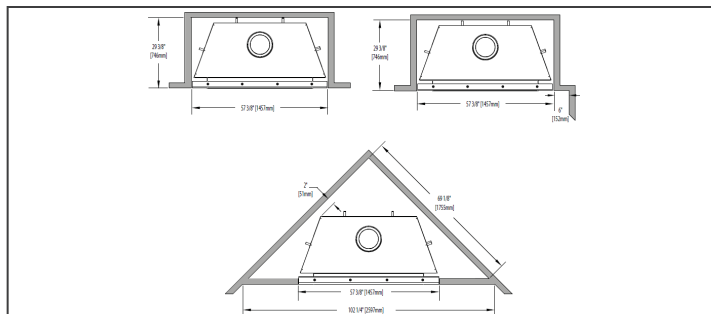
**\*HORIZONTAL VENT SECTIONS:** A minimum clearance of 4 1/2" (114mm) to the top and 1 1/2" (38mm) to the sides and bottom of the vent pipe on all horizontal runs to combustibles is required. Horizontal vent sections within enclosures require a minimum clearance of 11" (279mm) at the top of the vent pipe, see "MINIMUM CLEARANCE TO COMBUSTIBLE ENCLOSURES" section. Use firestop spacer W010-3364 (supplied).

**\*VERTICAL VENT SECTIONS:** A minimum of 1" (25mm) all around the vent pipe on all vertical runs to combustibles is required except for clearances in appliance enclosures. Vertical vent sections within enclosures require a minimum clearance of 2" (51mm) around the vent pipe. Use firestop spacer W500-0681 (not supplied).

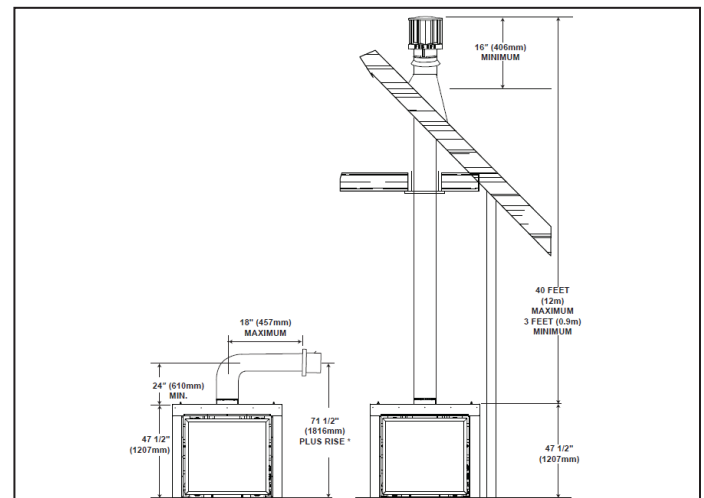
### Framing Dimensions



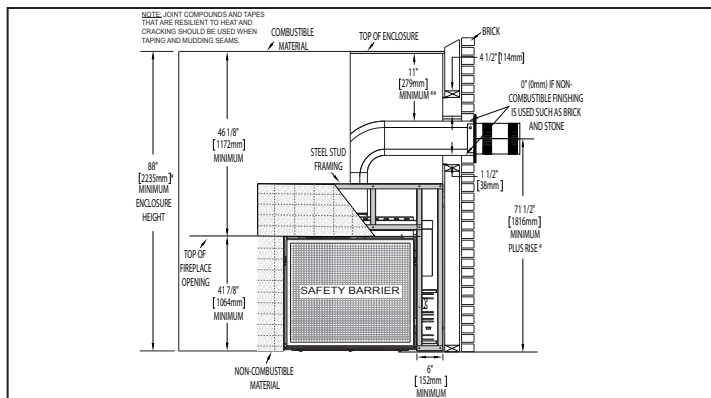
### Appliance Location



### Minimum Vertical Vent Rise



### Wall Penetration



### Non-Combustible Facing Material

**WARNING:** If greater projections are desired, increase the clearance to the sides and top by 2" (51mm) for every additional 1" (25mm) of projection. If using an optional surround, then 2" (51mm) clearance from the surround is required before projecting out a maximum 2" (51mm). If greater projections are desired, increase the clearance from the surround by 2" (51mm) for every 1" (25mm) of additional projection.

**SECTION A - A**

- 4" (102mm) to top of appliance
- 6" (152mm) to side of appliance
- 4" (102mm) to side of appliance
- 2" (51mm) to side of appliance
- 0" (0mm) to side of appliance

**SECTION B - B**

- 4" (102mm) to top of appliance
- 6" (152mm) to side of appliance
- 4" (102mm) to side of appliance
- 2" (51mm) to side of appliance
- 0" (0mm) to side of appliance

### Combustible Mantel Clearances

MANTEL DIMENSIONS		
Ref	Height	Depth
A	42" (1067mm)	2" (51mm)
B	6" (152mm)	2" (51mm)
C	8" (203mm)	4" (102mm)
D	10" (254mm)	6" (152mm)
E	12" (305mm)	8" (203mm)

Product information provided is not complete and is subject to change without notice. Please consult the installation manual for the most up to date installation information.