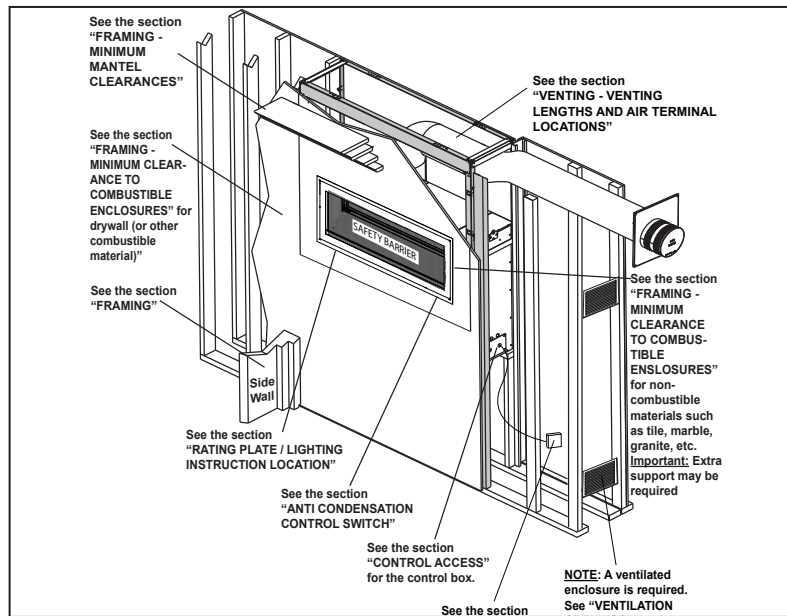


VECTOR™ 50 DIRECT VENT GAS FIREPLACE

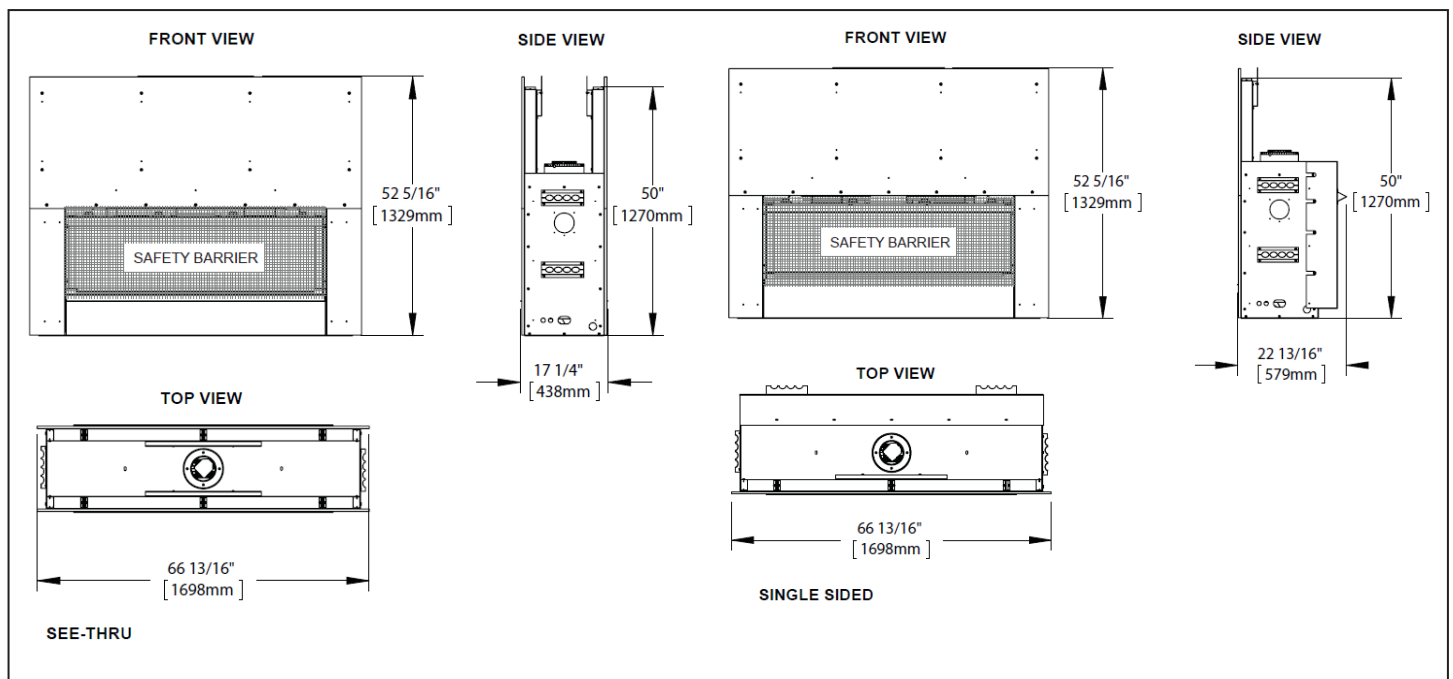
Specifications

Model	BTU	Width		Height		Depth		Glass
		Actual	Framing	Actual	Framing	Actual	Framing	
LV50	40,000	66 13/16	65 3/8	52 5/16	50	22 13/16	22 5/8	15 1/4 x 50
LV50ST	40,000	66 13/16	66 3/8	52 5/16	50	17 1/4	16 1/4	15 1/4 x 50 (2 pieces)

Overview



Dimensions



VECTOR™ 50 DIRECT VENT GAS FIREPLACE

Framing & Clearances

Minimum Fireplace Clearances

The LV50 is installed into a rectangular opening. It is best to frame your appliance after it is positioned and the vent system is installed. Use the steel stud frame provided.

Maintain these minimum clearances to combustibles from appliance and vent surfaces:

Appliance framing:

Use steel stud framing provided.

Non-Combustible Appliance finishing:

- Front - 7" (177.8mm) to sides of appliance opening
- 26 1/2" (673.1mm) above appliance opening

Combustible Appliance finishing:

- 52" (1320.8mm) from bottom of appliance to enclosure top
- 3" (76mm) to top of vent pipe*
- 2" (51mm) to sides and bottom of vent pipe*

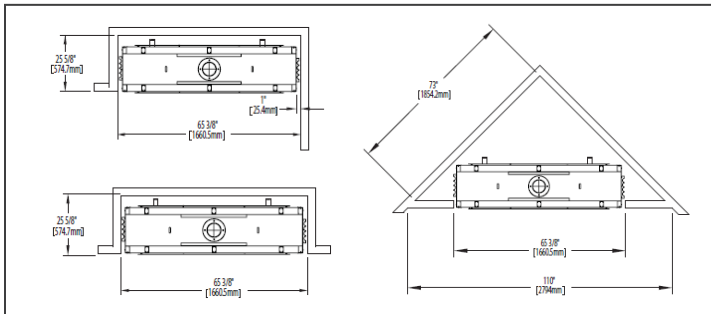
Non-combustible finishing material (ie. cement board, brick, stone, tile) must be used to finish the front of the appliance.

***HORIZONTAL VENT SECTIONS:** A minimum clearance of 3" (76mm) to the top and 2" (51mm) to the sides and bottom of the vent pipe on all horizontal runs to combustibles is required when passing through a wall. Use firestop spacer W010-2107 (supplied).

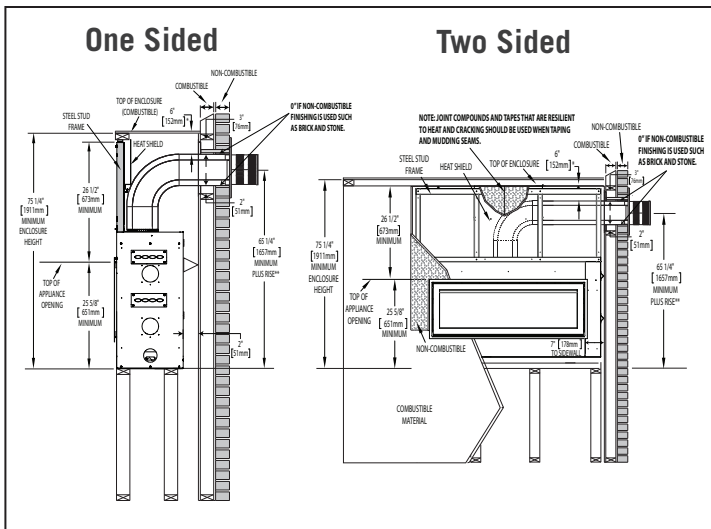
Horizontal vent sections within enclosures require a minimum clearance of 6" (152mm) at the top of the vent pipe, see "MINIMUM CLEARANCE TO COMBUSTIBLE ENCLOSURES" section and 1" (25mm) to the sides of the vent pipe.

***VERTICAL VENT SECTIONS:** A minimum of 1" (25mm) all around the vent pipe on all vertical runs to combustibles is required when passing through a ceiling. Use firestop spacer W500-0028 (not supplied).

Appliance Location

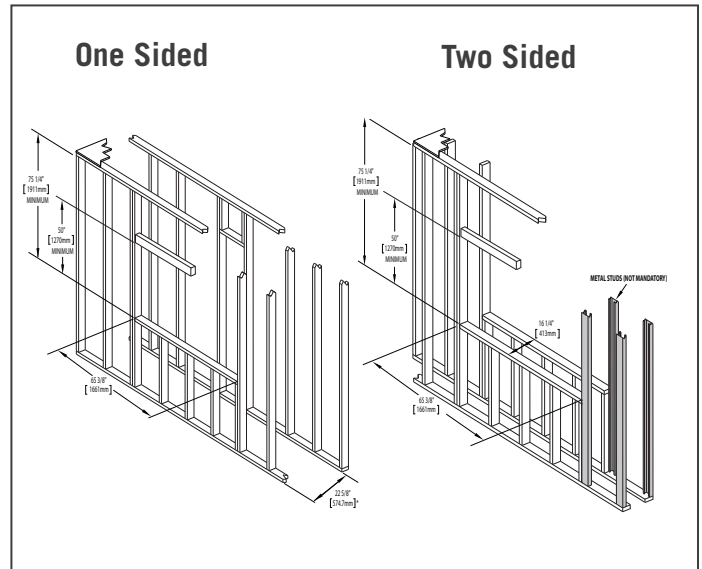


Wall Penetration

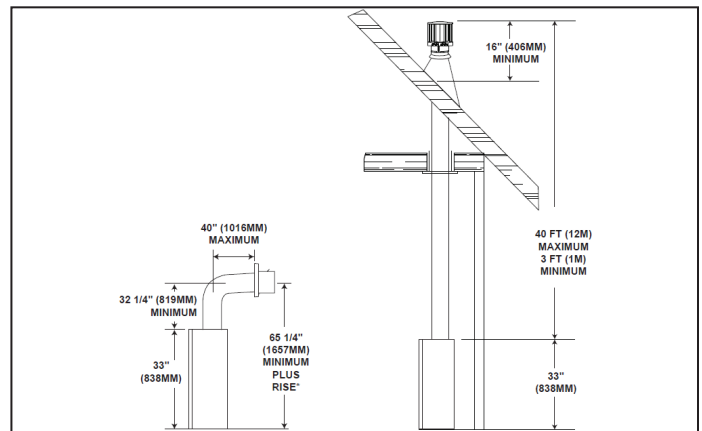


Product information provided is not complete and is subject to change without notice. Please consult the installation manual for the most up to date installation information.

Framing Dimensions



Minimum Vertical Vent Rise



Combustible Mantel Clearances

